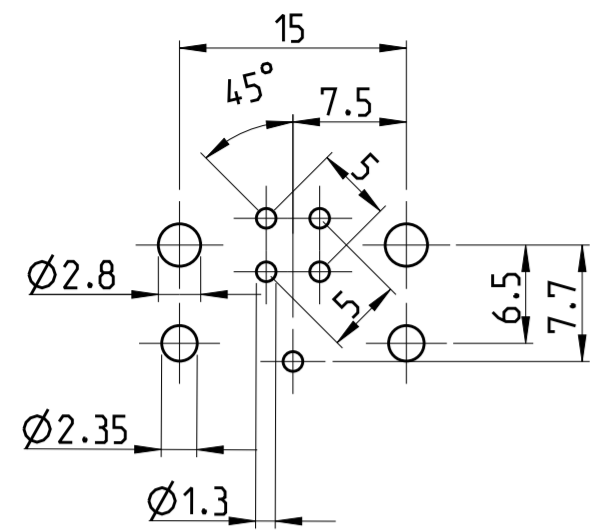


REVISIONS		DATE	DWN	APVD
AENDERUNGEN	DESCRIPTION			
BESCHREIBUNG				
P	LTR			
A	NEW RELEASE	04DEC2014	TJ	PS

CONDUCTOR LAYOUT



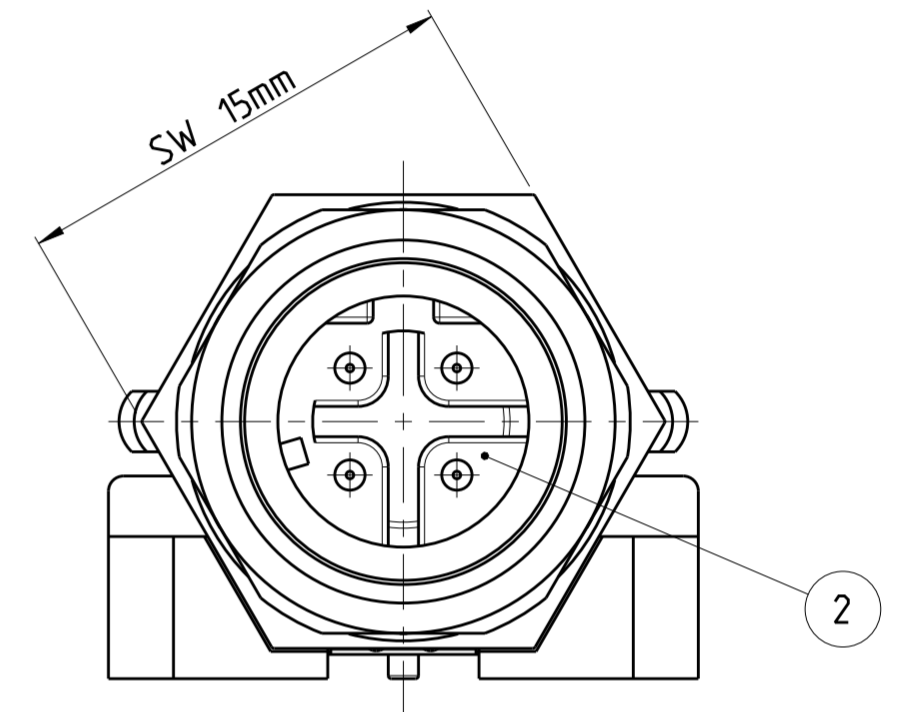
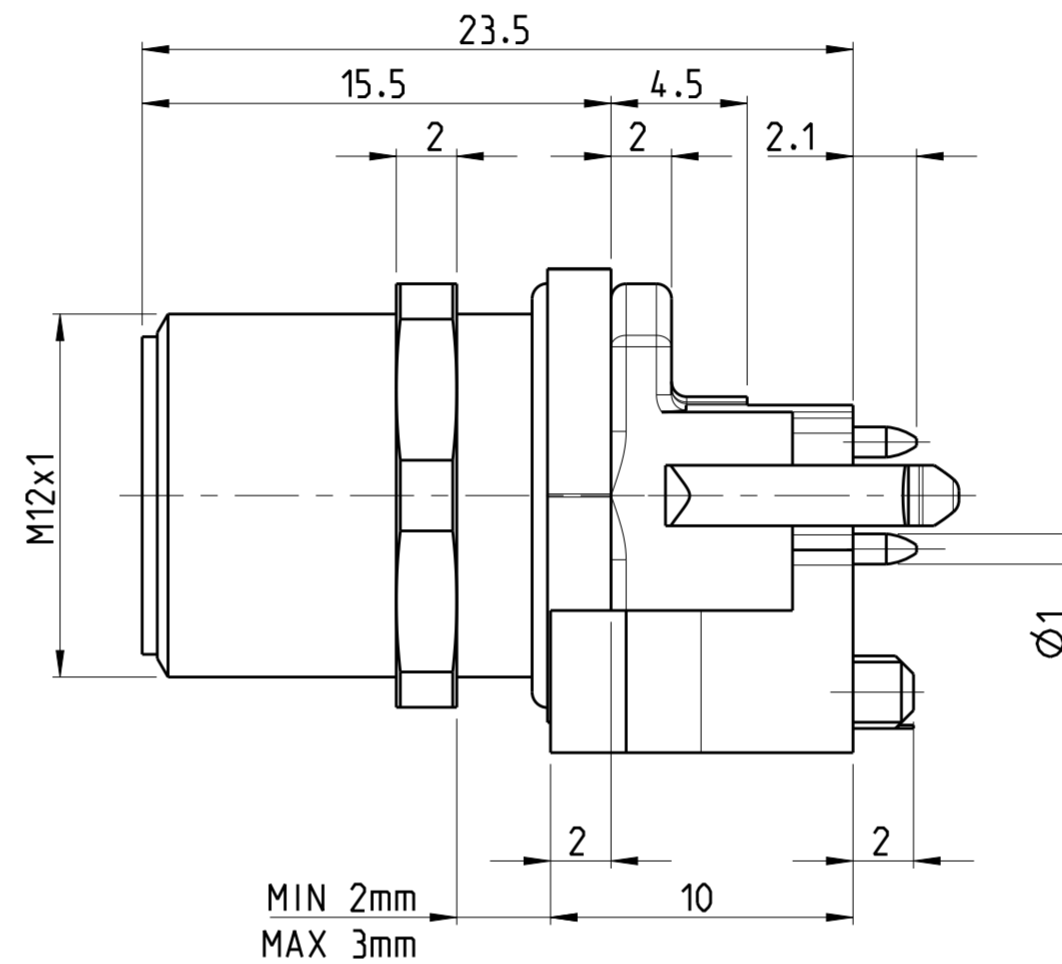
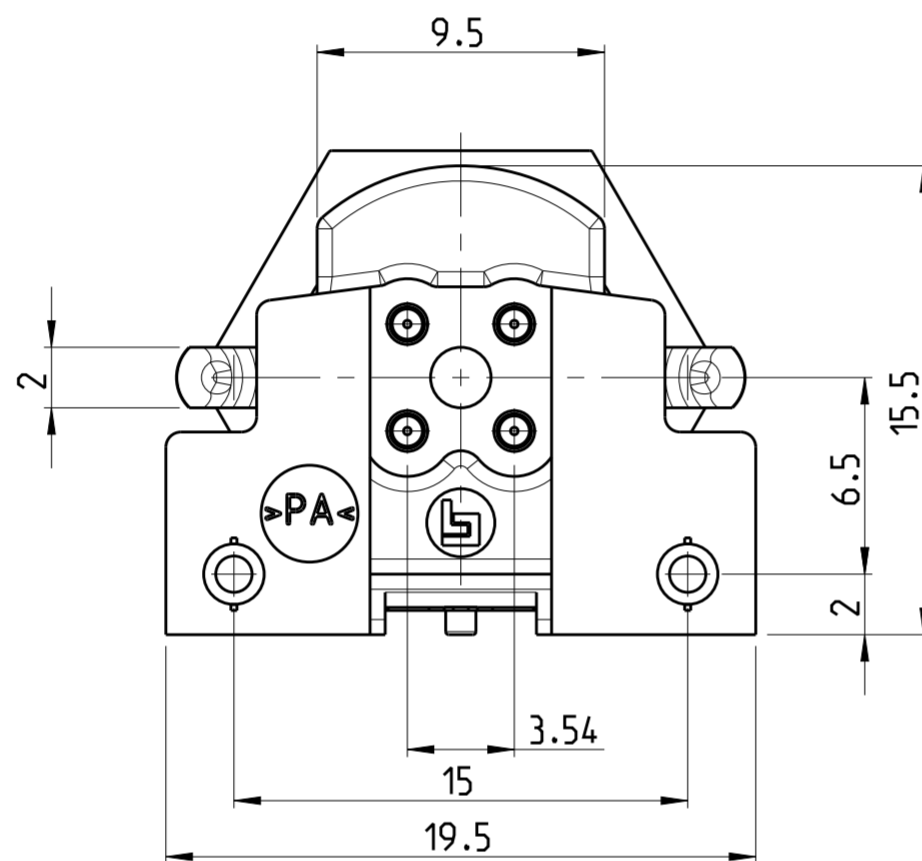
NOTES:

- 1 MATERIAL: ITEM NO. 1: HOUSING - CuZn (BRASS, NICKEL PLATED)  
 ITEM NO. 2: CONTACT BODY - PA (GREEN)  
 ITEM NO. 3: CONTACT - CuSn (BRONZE)  
 CONTACT FINISH - AU (GOLD)

2 ALL DIMENSIONS ARE FOR NOMINAL REFERENCE ONLY UNLESS OTHERWISE STATED

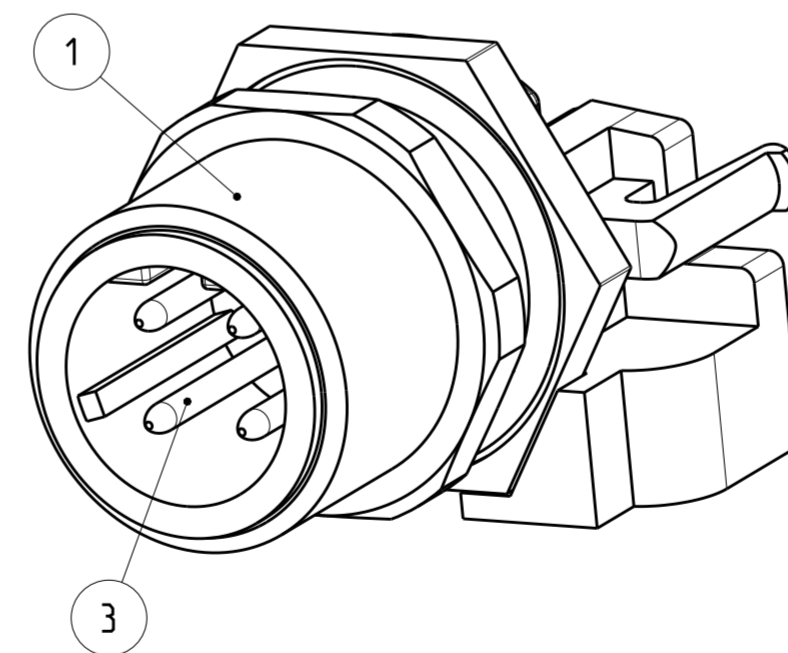
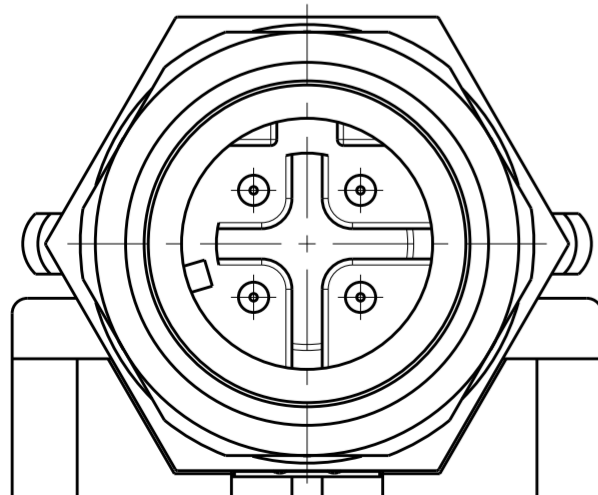
TECHNICAL DATA

	3-2172084-2
RATED VOLTAGE	250V
RATED IMPULSE VOLTAGE	2500V
POLLUTION DEGREE	3
OVERVOLTAGE CATEGORY	II
MATERIAL GROUP	II
RATED CURRENT	4A
VOLUME RESISTIVITY	≤ 3mΩ
DEGREE OF PROTECTION	IP67
UPPER TEMPERATURE	+85 °C
LOWER TEMPERATURE	+40 °C



PIN ARRANGEMENT D-CODING

3-2172084-2



DIESE ZEICHNUNG IST EIN KONTROLLIERTES DOKUMENT. BEMASSUNGEN UND TOLERANZEN GEMAESS GPS (ISO STANDARDS).

THIS DRAWING IS A CONTROLLED DOCUMENT. DIMENSIONING AND TOLERANCING PER GPS (ISO STANDARDS).

DIMENSIONS: MASSEINHEITEN: (MM)	TOLERANCES UNLESS OTHERWISE SPECIFIED: ALLGEMEINTOLERANZEN	DWN YASHKUMAR 13AUG2014
0 PLC ±	1 PLC ±	CHK M. BRUBAKER 13AUG2014
1 PLC ±	2 PLC ±	APVD M. BRUBAKER 13AUG2014
2 PLC ±	3 PLC ±	PRODUCT SPEC 108-19483
3 PLC ±	4 PLC ±	APPLICATION SPEC 114-32127
ANGLES/WINKEL ±	FINISH/OBERFLÄCHE/FARBE	WEIGHT GEWICHT -
SEE NOTES	SEE NOTES	Customer Drawing

4	3-2172084-2
MATERIAL	TE-PART-NO.



M12 RECEPTACLE, MALE, PCB MOUNT, STRAIGHT, SHIELDED, STANDOFF, D-CODED

SIZE A2	CAGE CODE 00779	DRAWING NO. ZEICHNUNGS-NR. C-2172084	RESTRICTED TO NUR FÜR -
SCALE MASSSTAB 4:1	SHEET BLATT 1	OF VON 1	REV A

SIZE ISO 14405 (E)